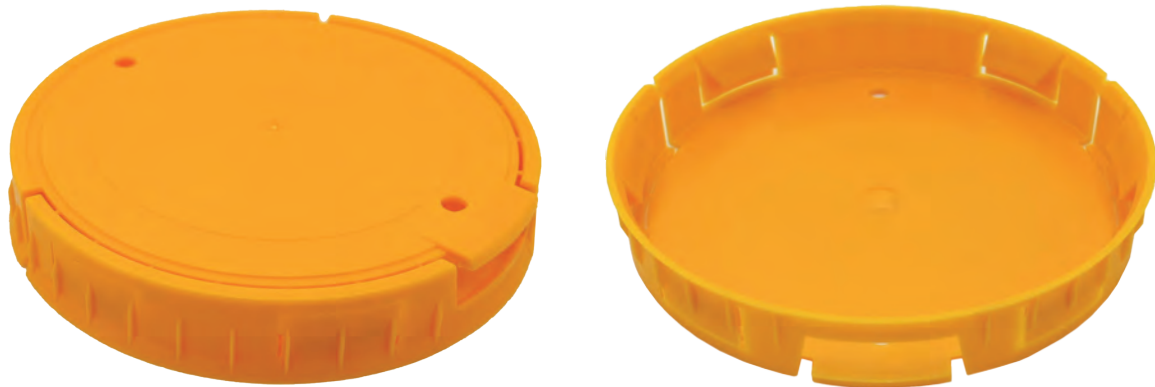


SCHNAPPKAPPE 62MM

SNAP CAP 62MM



Passend für: UniKeg S/D
Suitable for: UniKeg S/D



PRODUKTEIGENSCHAFTEN

Material: Polystyrol
Außendurchmesser: 66,52^{+0,2}mm
Innendurchmesser: 59,00^{+0,2}mm
Kappenhöhe: 10,50^{+0,2}mm
Farbe der Kappe: Diverse
Farbe des Druckes: Diverse
Bedruckbarer Bereich: max. Ø 46,0mm

PRODUCT FEATURES

Material: Polystyrene
Overall external diameter: 66,52^{+0,2}mm
Overall internal diameter: 59,00^{+0,2}mm
Cap height: 10,50^{+0,2}mm
Cap colour: Various
Printing Colour: Various
Printable area: max. Ø 46,0mm

SCHNAPPKAPPEN VON SIGL

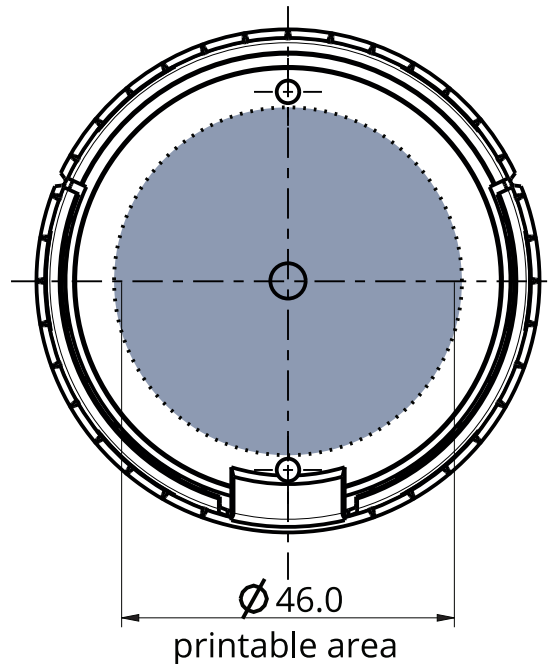
Die Schnappkappe für UniKeg S/D besteht aus umweltfreundlichem und schlagfestem Polystyrol und stellt einen sicheren Schutz gegen Manipulation Ihrer Fässer dar. Die Schnappkappe kann in 17 verschiedenen Farben und auf Wunsch mit einem einfarbigen, individuell gestaltbaren Druck geliefert werden - ideal um Ihre Marke zu platzieren. Zudem kann bei der Abfüllung mittels Inkjet-Verfahren das Abfüll- oder Mindesthaltbarkeitsdatum auf die Kappen aufgedruckt werden. Darüber hinaus sind alle Kappen zu 100% recyclebar.

SNAP CAPS FROM SIGL

The snap cap for UniKeg S/D is made of environmentally friendly and impact-resistant polystyrene and provides reliable protection against tampering with your barrels. The snap cap can be supplied in 17 different colors and, if desired, with a monochrome, individually customizable print - ideal for placing your brand. In addition, when filling using the inkjet process, the filling or best-before date can be printed on the caps. In addition, all caps are 100% recyclable.

SNAP CAP 62MM

Instructions for creating your print file



OUR TIPS FOR ERROR-FREE DESIGN OF YOUR PRINT DATA

GENERAL

Background images, gradients, and multi-colored graphics cannot be printed. In terms of production, only a single-color print can be created.

COLOR MODE

The color mode of your print data must be CMYK. Otherwise a (slightly) changed overall visual impression may arise after the printing process. (Data in RGB color mode are automatically converted to CMYK by us.)

FONTS/LINES

The minimum size of your fonts should not be less than 6 pt and lines should not be less than 0.15 mm (positive) or 0.3 mm (negative). Please make sure to embed the fonts and avoid transparencies. If the selected fonts are smaller, it can happen that the font is more difficult to read.

FILE FORMAT

Save your document as an editable PDF document. After submitting your data, we will send you a print preview for approval. Only after your approval will the order for the creation of the printing block be placed.